

BALL VALVE

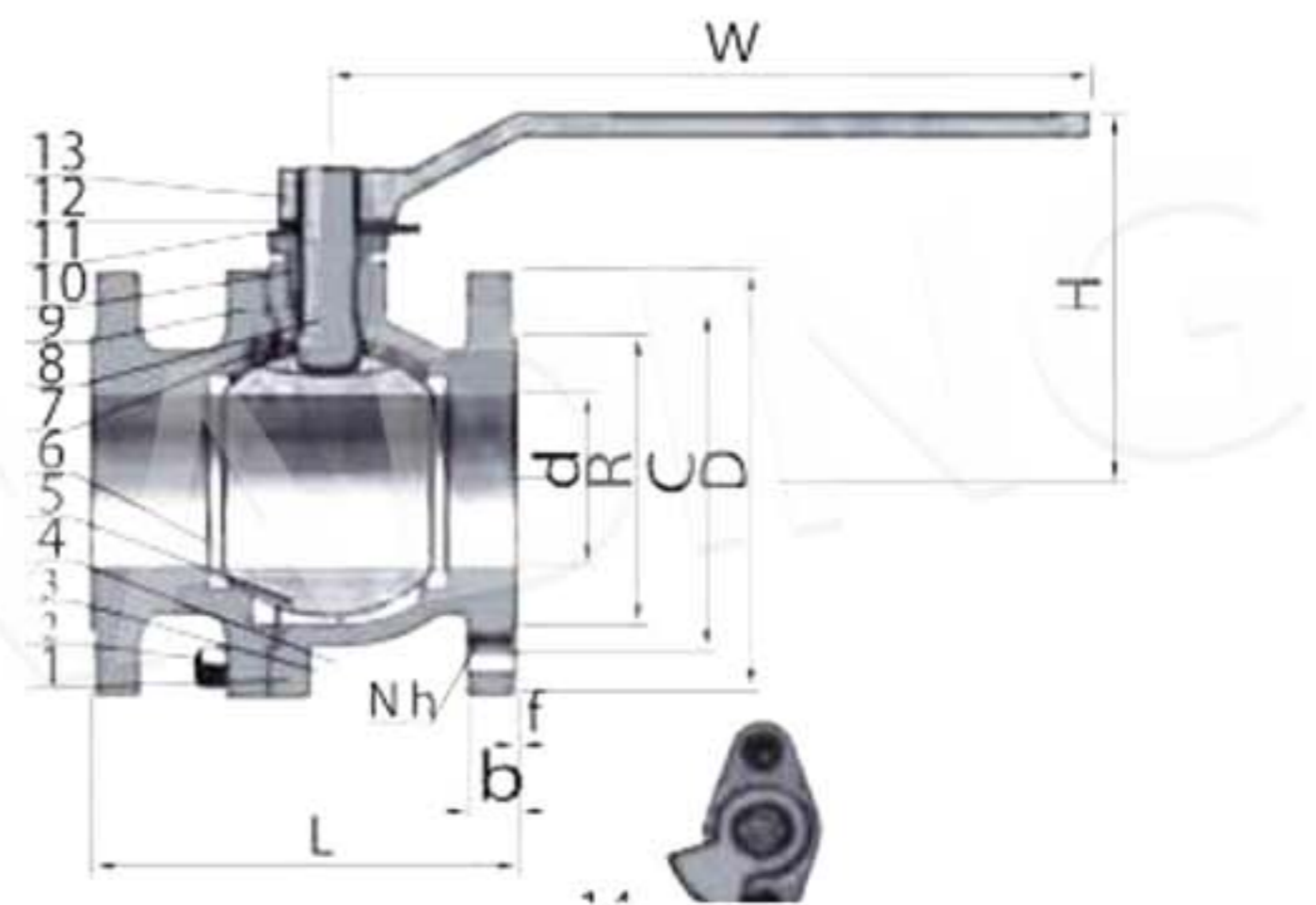


Model : BVF-J, BVF-A

2-PC CAST IRON BALL VALVE FLANGED ENDS

FEATURE AND APPLICATION

- ◆ Designed and manufacture : JIS B2031 , JIS B2002
- ◆ Face to Face dimensions : JIS B2002 , ASME B16.10
- ◆ 2-Piece and Floating Ball Design by Full Port.
- ◆ Blow-out proof stem.
- ◆ Applicable Medium : Water, Oil, Gas, Steam.
- ◆ Flange End Connections : Jis 10K , ANSI 150
- ◆ Operate by Lever Handle for 1.1/2" - 8 , Gear Operate 10"- 12"
- ◆ Max.Working Pressure & Temp : 200 PSI (13.8 Bar)
- ◆ Max.Working Temperature : -20°C To 180°C
- ◆ Size Range : 1.1/2" - 12"



Bill of Materials

Seqeybce	Description	Material	Sizes
1	Body	Cast Iron	All
2	Bonnect	Cast Iron	All
3	Nut	Carbon Steel	All
4	Bolting	Carbon Steel	All
5	Ball	SUS 304	All
6	Seat	PTFE	All
7	Gasket	PTFE	All
8	Stem	Stainless Steel	All
9	Stem Packing	PTFE	All
10	Glang Flange	Cast Iron	All
11	Stop Collar	Carbon Steel	All
12	Circlip	Carbon Steel	All
13	Hand Lever	Dutile Iron	All
14	Glang Bolt	Carbon Steel	All

Dimensions

				JIS 10K			ANSI 150			mm
INCH	H	L	W	D	C	N	D	C	N	
1-1/2"	97	165	220	140	105	4	127	98	4	
2"	106	178	245	155	120	4	152	121	4	
2-1/2"	141	190	285	175	140	4	178	140	4	
3"	150	203	300	185	150	8	191	152	4	
4"	183	229	320	210	175	8	229	191	8	
5"	230	356	350	250	210	8	254	216	8	
6"	250	394	380	280	240	8	279	241	8	
8"	350	457	420	330	290	12	343	299	8	
10"	380	533	Gear	400	355	12	406	362	12	
12"	680	610	Gear	445	400	16	483	432	12	

